



VEER SURENDRA SAI UNIVERSITY OF TECHNOLOGY,
BURLA
Dist.- Sambalpur, Odisha, 768018
www.vssut.ac.in

No. VSSUT/

/2016

Dtd.

TENDER CALL NOTICE

Sealed tenders are invited from Manufacturers or its authorized firms having up-to-date ITCC, VATCC & ISO-9001 certificates for supply of furniture (Double Bed, Single Bed and Bed side Unit) for the newly constructed Guest House of the University on or before 28.03.2016 up to 04.30PM.

For more details please visit our University website www.vssut.ac.in. The authority reserves the right to accept or reject any or all the quotations without assigning any reason thereof.

Sd/- REGISTRAR

No. VSSUT/

SM/5893(C4)
/2016

Dtd.

10.03.2016

Copy to:

1. M/s Display Lines, 219, Saheed Nagar, Bhubaneswar-751007 with request to publish the above advertisement in one issue of the all Odisha daily edition of The Samaj and The Indian Express at the I&PR approved/lowest rate. The bill may be sent in triplicate along with a copy of the paper in which the publication is made.
2. University Notice Board of VSSUT, Burla.
3. Dean, F&P for uploading the tender notice & documents.
4. PA to Vice Chancellor for information of the Hon'ble Vice Chancellor.


REGISTRAR

GENERAL TERMS & CONDITIONS

1. The requirement of the furniture is in respect of our Guest House at Burlaand these are to be delivered at site only.
2. The supplier must supply all items at a time, part supply will not be acceptable. Any loss or damage during the transit will be solely borne by the supplier.
3. The rates to be quoted only for furniture conforming to technical specifications, inclusive of all charges and Taxes.
4. The tender comprises two parts i.e. 1. Technical bid and 2. Financial Bid. The first part is technical bid where the vendor is required to give the details of the firm and the confirmation on technical specification. If there is noncompliance in respect of any item, all details thereof must be provided. The second part is financial bid where the vendor is required to quote the rates only. No other information/condition is to be mentioned in the financial bid. Conditions if any, are to be given in the technical bid only. The technical and financial bids are to be submitted in separate envelopes.
5. The bidder shall quote the rates in figures as well as in words. The amount of each item shall be worked out and requisite total to be given.
6. Each tender document is required to be signed by the authorized person or persons submitting the tenders in token of his/her having acquainted himself/themselves with the general terms and conditions, specifications and schedule of quantities etc. as laid down. Any tender with any of the tender documents not so signed are liable to be rejected.
7. Tender should be filled with neat legible and correct entries. Indistinct figures should be avoided. Any erasures and alterations made while filling the tender or figure/figures are not permitted. Failure to comply with either of these conditions will render the tender void. No advice of any change in rate or conditions after opening of the will be entertained.
8. The undersigned does not bind himself to accept the lowest or any tender and reserve to itself the right of accepting the whole or any part of the tender and the vendor shall be bound to perform the same at the rate quoted.
9. Taxes shall be payable extra. However, components of taxes must be mentioned in the price bid with all relevant bifurcation/information. All transportation charges shall be payable by the vendor and Registrar, VSSUT will not entertain any claim whatsoever in this respect.
10. No escalation in price shall be allowed after the award of tenders. It is clarified that change in taxes shall not be treated as price variation.
11. The bidder shall not sublet the work entrusted to him without the prior written permission of the authority.
12. Only first make of material has to be used. No advance payment will be made.
13. The bidder firm should be ISO- 9001:2008 certified.
14. The annual turnover of the participating firm should be more than Rs. 50.00 lakhs during the last financial year.
15. The EMD amount of the successful bidder will be kept as retention money and will be released only after supply and installation of the furniture in place. However, the

EMD amount of other bidders will be returned back after the tendering process is completed.

16. Only the bidders agreeing upon the above technical terms and conditions should submit their tenders in sealed covers. Technical bid shall include documentary proof in respect of each of the above points of Technical Terms & Conditions. Financial bids of firms, who fail to fulfil any of the above conditions, will not be considered.
17. The Technical bid shall contain, inter alia, the following essential documents specified as under:-

1	ITCC and VATCC with documentary proof.
2	Documentary proof of Authorized Distributor/Dealer/Supplier, as the case may be.
3	Details of satisfactory supply certificates/POs, if any, regarding supplies of similar nature.

18. Detailed specifications and tentative diagrams of the items have been provided herewith.
19. 100% Payment shall be made after delivery, installation and satisfactory acceptance.
20. The bidders shall present the samples of the furniture stated herein for inspection with respect to the specifications. If needed minor modifications may be suggested without any increase in quoted price with mutual agreement.
21. Liquidated Damages: In case of failure to execute the order in full within the specified period, liquidated damages shall be charged at the rate of ½% per week or part thereof but not exceeding 8% of the order value.
22. Registrar, VSSUT reserves the right to accept/reject any/all offers without assigning any reason whatsoever.
23. Any dispute arising out of the deal shall be subjected to the jurisdiction of the court at Sambalpur in the state of Odisha.

TECHNICAL SPECIFICATIONS

S/N	Item Description & Specifications
1	<p>Double Bed: Providing, installation and positioning of bed of minimum overall size 2000 mm (L) x 1875mm (W) x 960 mm (H). Bed made out of 25 mm BWR Grade Block Board confirming to IS-1659 as per detailed working drawing (Fig.-1) & design with all exposed surface should be of postform finish with 1 mm laminate of approved shade & brand. All inside surfaces painted with 2 coats of enamel paint over a coat of primer and the bed top should be of 19 mm BWR grade Block Board. Cost includes all material, labour T&P, Tax, lead and hardware of Hettich/Ebco make complete in all respect as per direction of Maintenance Engineer. [Only front area of credenza shall be measured for payment. i.e. (length of credenza x height)].</p>
2	<p>Single Bed: Providing, installation and positioning of bed of minimum overall size 2000 mm (L) x 1100 mm (W) x 960 mm (H). Bed made out of 25 mm BWR Grade Block Board confirming to IS-1659 as per detailed working drawing (Fig.-2) & design with all exposed surface should be of postform finish with 1 mm laminate of approved shade & brand. All inside surfaces painted with 2 coats of enamel paint over a coat of primer. Cost includes all material, labour T & P, Tax, lead, hardware of Hettich/Ebco make complete in all respects as per direction of Maintenance Engineer. [Only front area of credenza shall be measured for payment. i.e. (length of credenza x height)]</p>
3	<p>Bed Side Unit: Providing, installation & positioning of Bed side unit of minimum overall size 450 mm (L) x 450 mm (W) x 510 mm (H). Side panels made out of 19 mm BWR Grade Block Board confirming to IS-1659 (Fig.-3) and matching with the bed unit with all exposed surface should be of postform finish with 1mm laminate of approved shade & brand. All inside surfaces painted with 2 coats of enamel paint over a coat of primer. Cost includes all material, labour T & P, Tax, lead, hardware of Hettich/Ebco make complete in all respects as per direction of Maintenance Engineer. [Only front area of credenza shall be measured for payment. i.e. (length of credenza x height)]</p>

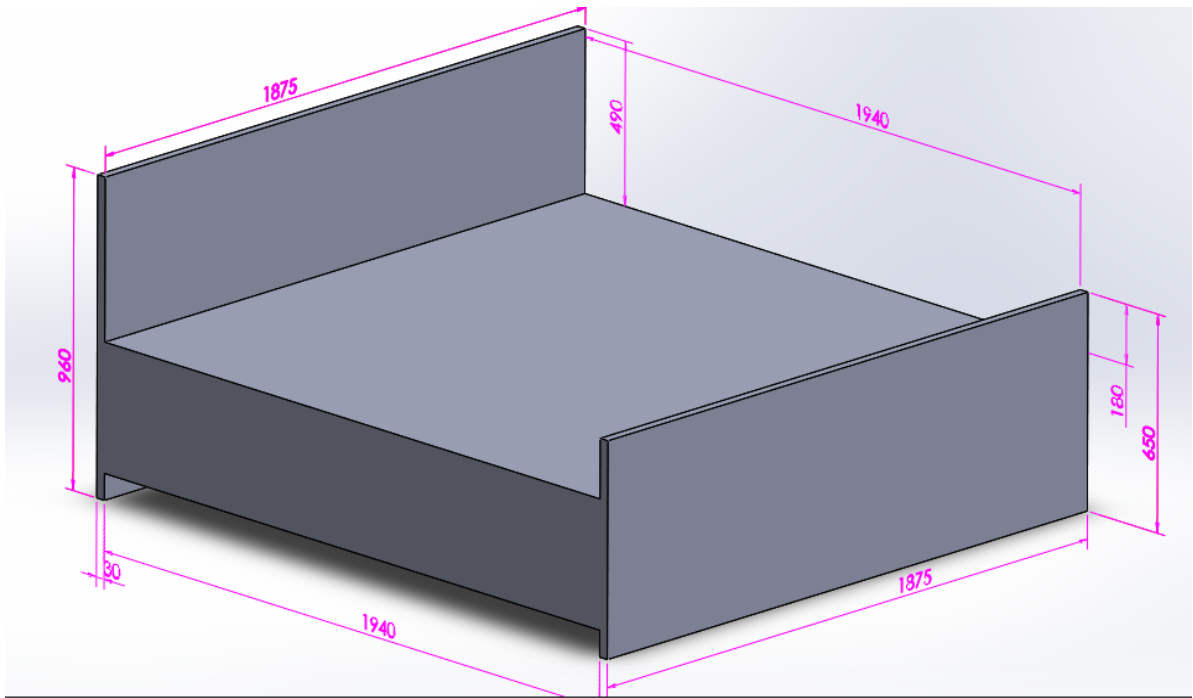


FIG.1- DOUBLE BED

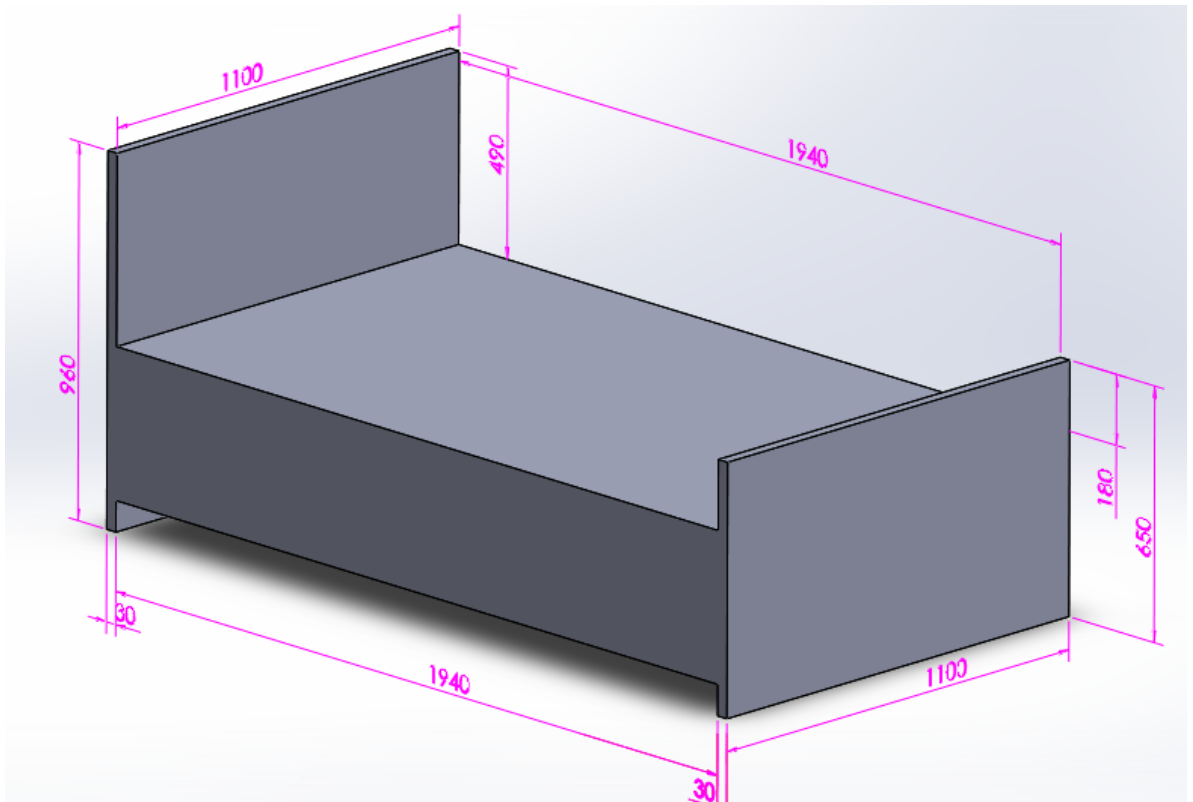


FIG.2- SINGLE BED

NB- Figures not to scale
All dimensions are in mm

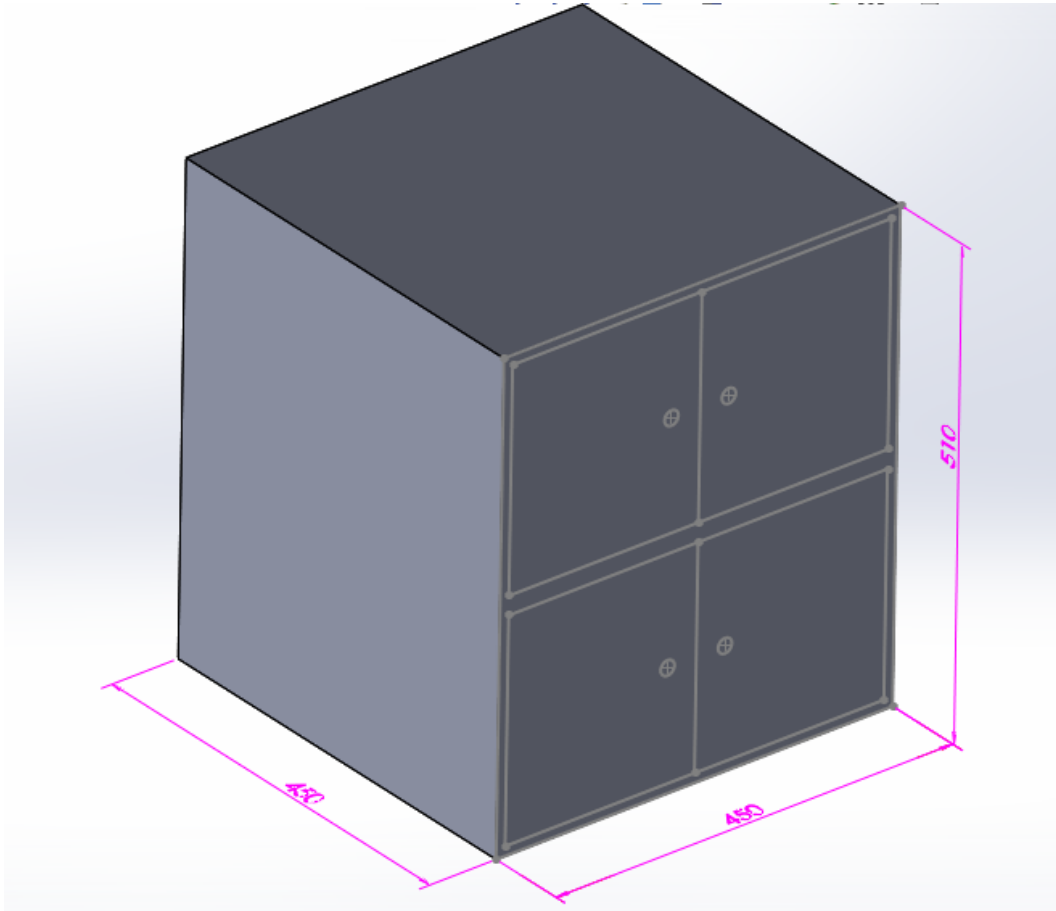


FIG.3- BED SIDE UNIT

NB- Figures not to scale
All dimensions are in mm

To,
The Registrar
VSSUT, Burla

Sub: Supply of furniture for university guest house.

Dear Sir,

I/We the undersigned have carefully gone through and clearly understood the specifications, quantities with **general conditions mentioned in the tender document for the above mentioned work** do hereby tender to execute and complete the supply of furniture in accordance with the priced bill of quantified and/or as given in the specification of the works.

It is understood that the lowest or any tender will not necessarily be accepted and that you are not bound to assign any reason thereof for the same.

I/We agree to keep our offer open for 90 days from the date of opening of tender.

Having examined the schedule of quantities relating to the proposed tender for supply of furniture and having acquired the tenders invited by you, we the undersigned hereby offer to execute, complete and maintain the proposed work in strict accordance with the conditions and specifications described in the tender document at the item rates quoted by us in the tender.

We undertake to complete and deliver the total work within the stipulated time period from the date of issue of work order by the competent authority. We are aware that the delay in completion of work will attract penalty as specified as per clause 21 of General Terms and conditions.

Place:

Signature & Stamp of vendor

Date:

Name and address of the vendor

TECHNICAL BID

To be filled and signed by the authorized signatory of the firm & this is to be put in separate sealed cover superscribed with “Technical bid for furniture for University Guest House”.

1	Name of the firm	
2	Address	
3	Contact No.	
4	Date of commencement of business	
5	PAN No. (Attach a copy)	
6	VAT/CST Registration No (Attach a copy)	
7	Whether previous experience in the field (Attach proof)	
8	Warranty information.	Please attach list of items along with relevant warranty, if applicable
9	Product brochure/literature for each item	Attach copies of product brochure/literature for each item
10	Particulars of EMD attached	DD No _____ Date _____ Amount <u>Rs. 25,000/-</u> Issuing Bank Name _____

Signature of the Vendor with seal

FINANCIAL BID

To be filled & signed by the authorized signatory of the firm & this is to be put in separate sealed cover superscribed with “Financial bidfor furniture for University Guest House”.

S/N	Item Description & Specifications	Rate	Quantity*	Total Price
1	Double Bed: Providing, installation and positioning of bed of minimum overall size 2000 mm (L) x 1875mm (W) x 960 mm (H). Bed made out of 25 mm BWR Grade Block Board confirming to IS-1659 as per detailed working drawing& design with all exposed surface should be of postform finish with 1 mm laminate of approved shade & brand. All inside surfaces painted with 2 coats of enamel paint over a coat of primer and the bed top should be of 19 mm BWR grade Block Board. Cost includes all material, labour T&P, Tax, lead and hardware of Hettich/Ebco make complete in all respect as per direction of Maintenance Engineer. [Only front area of credenza shall be measured for payment. i.e. (length of credenza x height)].		5	
2	Single Bed: Providing, installation and positioning of bed of minimum overall size 2000 mm (L) x 1100 mm (W) x 960 mm (H). Bed made out of 25 mm BWR Grade Block Board confirming to IS-1659 as per detailed working drawing& design with all exposed surface should be of postform finish with 1 mm laminate of approved shade & brand. All inside surfaces painted with 2 coats of enamel paint over a coat of primer. Cost includes all material, labour T & P, Tax, lead, hardware of Hettich/Ebco make complete in all respects as per direction of Maintenance Engineer. [Only front area of credenza shall be measured for payment. i.e. (length of credenza x height)]		60	
3	Bed Side Unit: Providing, installation & positioning of Bed side unit of minimum overall size 450 mm (L) x 450 mm (W) x 510 mm (H). Side panels made out of 19 mm BWR Grade Block Board confirming to IS-1659and matching with the bed unit with all exposed surface should be of postform finish with 1mm laminate of approved shade & brand. All inside surfaces painted with 2 coats of enamel paint over a coat of primer. Cost includes all material, labour T & P, Tax, lead, hardware of Hettich/Ebco make complete in all respects as per direction of Maintenance Engineer. [Only front area of credenza shall be measured for payment. i.e. (length of credenza x height)]		70	
Taxes				
Grand Total (Inclusive of all taxes)				

* Approximate quantity. May vary at the time of placing order.

Signature of the Vendor with seal